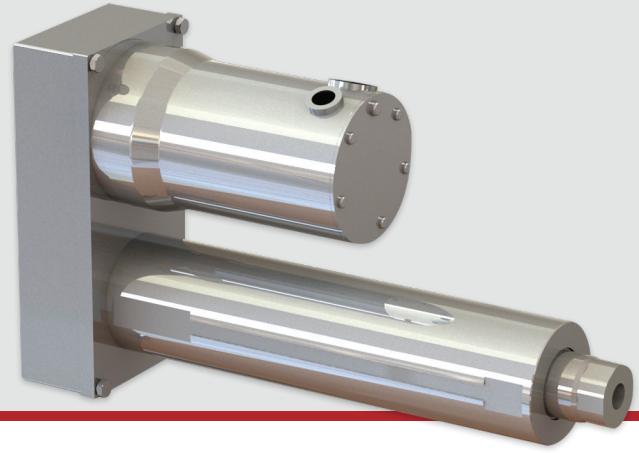


PRODUCT ORDERING GUIDE

Tac Series VS

STAINLESS STEEL



Custom products are available.

Contact sales@edriveactuators.com with your requirements.

BASE NUMBER	OPTIONS	SPECIAL	
<div style="display: flex; justify-content: space-around;"> <div style="border: 1px solid black; padding: 2px;">V</div> <div style="border: 1px solid black; padding: 2px;">S</div> <div style="border: 1px solid black; width: 20px; height: 20px;"></div> <div style="border: 1px solid black; width: 20px; height: 20px;"></div> <div style="border: 1px solid black; width: 20px; height: 20px;"></div> </div>	<div style="display: flex; justify-content: space-around;"> <div style="border: 1px solid black; width: 20px; height: 20px;"></div> <div style="border: 1px solid black; width: 20px; height: 20px;"></div> <div style="border: 1px solid black; width: 20px; height: 20px;"></div> <div style="border: 1px solid black; width: 20px; height: 20px;"></div> <div style="border: 1px solid black; width: 20px; height: 20px;"></div> <div style="border: 1px solid black; width: 20px; height: 20px;"></div> <div style="border: 1px solid black; width: 20px; height: 20px;"></div> <div style="border: 1px solid black; width: 20px; height: 20px;"></div> </div>	<div style="display: flex; justify-content: space-around;"> <div style="border: 1px solid black; width: 20px; height: 20px;"></div> <div style="border: 1px solid black; width: 20px; height: 20px;"></div> <div style="border: 1px solid black; width: 20px; height: 20px;"></div> <div style="border: 1px solid black; width: 20px; height: 20px;"></div> </div>	
<div style="background-color: #333; color: white; padding: 5px; margin-bottom: 5px;">Base Parts No. (Capacity)</div> <div style="background-color: #eee; padding: 5px; margin-bottom: 5px;">VS204 (400 lbf)</div> <div style="background-color: #eee; padding: 5px; margin-bottom: 5px;">VS209 (900 lbf)</div> <div style="background-color: #eee; padding: 5px; margin-bottom: 5px;">VS305 (500 lbf)</div> <div style="background-color: #eee; padding: 5px; margin-bottom: 5px;">VS310 (1,000 lbf)</div> <div style="background-color: #eee; padding: 5px; margin-bottom: 5px;">VS320 (2,900 lbf)</div> <div style="background-color: #333; color: white; padding: 5px; margin-bottom: 5px;">Std. Stroke Lengths</div> <div style="background-color: #eee; padding: 5px; margin-bottom: 5px;">06: 6 in.</div> <div style="background-color: #eee; padding: 5px; margin-bottom: 5px;">12: 12 in.</div> <div style="background-color: #eee; padding: 5px; margin-bottom: 5px;">18: 18 in.</div> <div style="background-color: #eee; padding: 5px; margin-bottom: 5px;">24: 24 in.</div>	<div style="background-color: #333; color: white; padding: 5px; margin-bottom: 5px;">Unit Mounting Option</div> <div style="background-color: #eee; padding: 5px; margin-bottom: 5px;">MB: Bottom Mount</div> <div style="background-color: #eee; padding: 5px; margin-bottom: 5px;">FF: Front Flange</div> <div style="background-color: #eee; padding: 5px; margin-bottom: 5px;">MF: Foot Mount</div> <div style="background-color: #eee; padding: 5px; margin-bottom: 5px;">TF: Front Trunnion</div> <div style="background-color: #eee; padding: 5px; margin-bottom: 5px;">TR: Rear Trunnion</div> <div style="background-color: #eee; padding: 5px; margin-bottom: 5px;">CR: Rear Clevis</div> <div style="background-color: #333; color: white; padding: 5px; margin-bottom: 5px;">End Effector/Rod End</div> <div style="background-color: #eee; padding: 5px; margin-bottom: 5px;">E: Female Eye</div> <div style="background-color: #eee; padding: 5px; margin-bottom: 5px;">F: Female Thread</div> <div style="background-color: #eee; padding: 5px; margin-bottom: 5px;">A: Self-Aligning Coupler</div> <div style="background-color: #eee; padding: 5px; margin-bottom: 5px;">M: Male Thread</div> <div style="background-color: #eee; padding: 5px; margin-bottom: 5px;">S: Spherical Rod Eye</div> <div style="background-color: #333; color: white; padding: 5px; margin-bottom: 5px;">Configuration</div> <div style="background-color: #eee; padding: 5px; margin-bottom: 5px;">L: In-Line</div> <div style="background-color: #eee; padding: 5px; margin-bottom: 5px;">U: Parallel Offset</div>	<div style="background-color: #333; color: white; padding: 5px; margin-bottom: 5px;">Motor Position</div> <div style="background-color: #eee; padding: 5px; margin-bottom: 5px;">1, 2, 3, 4</div> <div style="background-color: #eee; padding: 5px; margin-bottom: 5px;">0 = In-Line</div> <div style="text-align: center; margin-bottom: 5px;"> </div> <div style="background-color: #333; color: white; padding: 5px; margin-bottom: 5px;">Gearbelt Reduction</div> <div style="background-color: #eee; padding: 5px; margin-bottom: 5px;">00: In-Line/Direct Coupled</div> <div style="background-color: #eee; padding: 5px; margin-bottom: 5px;">10: 1:1</div> <div style="background-color: #eee; padding: 5px; margin-bottom: 5px;">20: 2:1</div> <div style="background-color: #333; color: white; padding: 5px; margin-bottom: 5px;">Switch Type</div> <div style="background-color: #eee; padding: 5px; margin-bottom: 5px;">A: Hall Sourcing PNP</div> <div style="background-color: #eee; padding: 5px; margin-bottom: 5px;">B: Hall Sinking NPN</div> <div style="background-color: #eee; padding: 5px; margin-bottom: 5px;">C: Reed</div>	<div style="background-color: #333; color: white; padding: 5px; margin-bottom: 5px;">Custom Length (in)</div> <div style="background-color: #eee; padding: 5px; margin-bottom: 5px;">00.00</div> <div style="background-color: #333; color: white; padding: 5px; margin-bottom: 5px;">N.C. Switch Qty</div> <div style="background-color: #eee; padding: 5px; margin-bottom: 5px;">0, 1, 2, 3, etc.</div> <div style="background-color: #333; color: white; padding: 5px; margin-bottom: 5px;">N.O. Switch Qty</div> <div style="background-color: #eee; padding: 5px; margin-bottom: 5px;">0, 1, 2, 3, etc.</div>