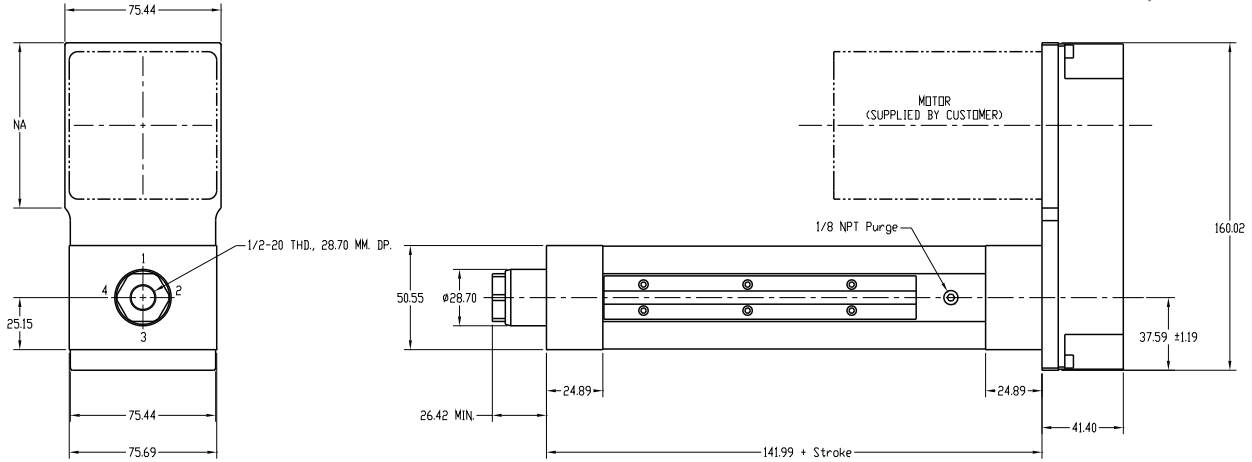


Eliminator HD201 Actuator
With Switch Tracks for Mounting Limit Switches
Metric Dimensions

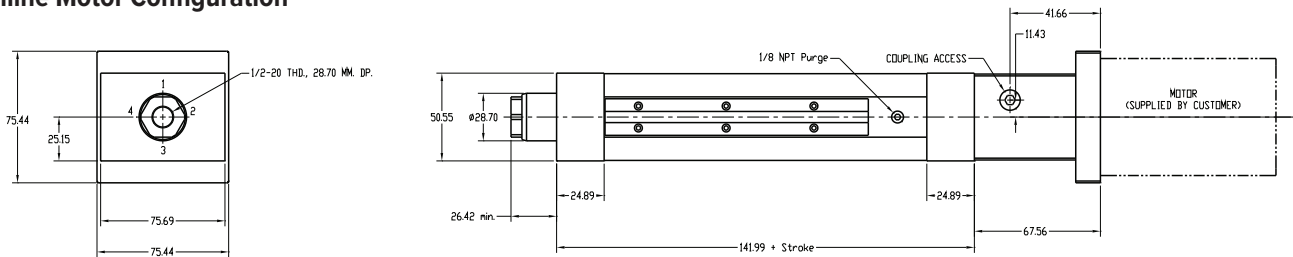


Motor Mount Configurations (*choose one*)

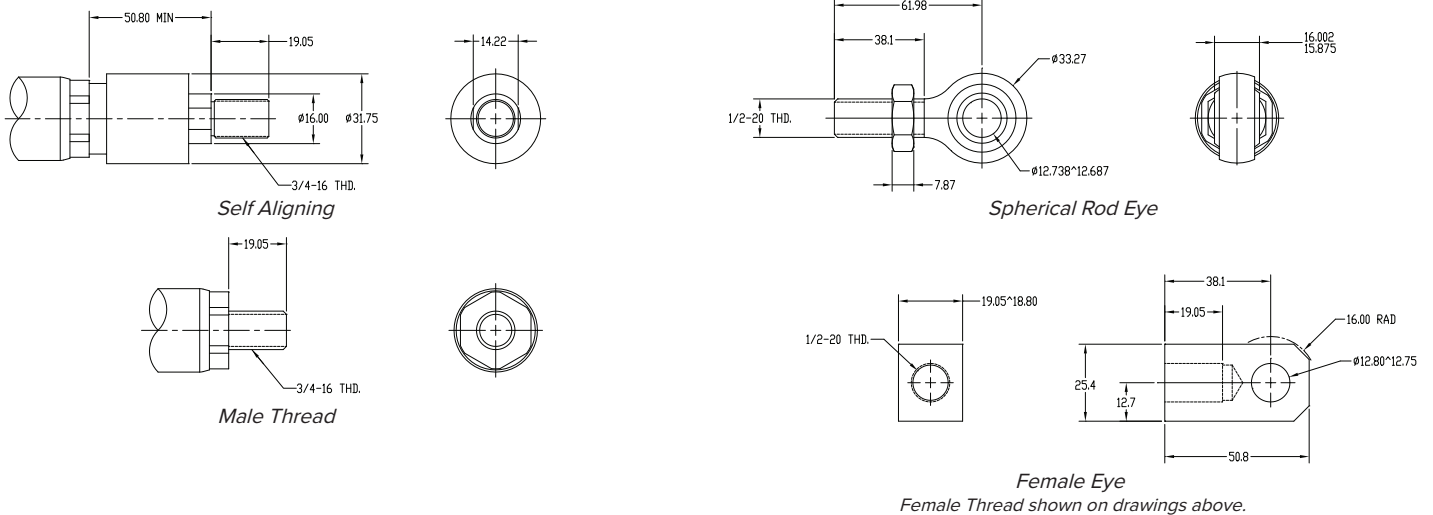
HD201 Parallel Offset Motor Configuration



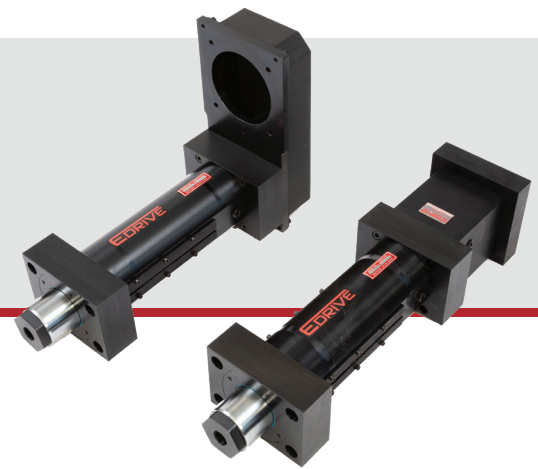
HD201 Inline Motor Configuration



HD201 Rod End Conditions (*choose one*)

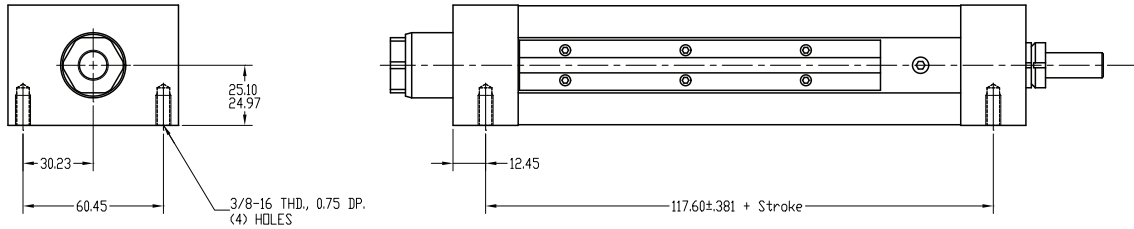


Eliminator HD201 Actuator
With Switch Tracks for Mounting Limit Switches
Metric Dimensions

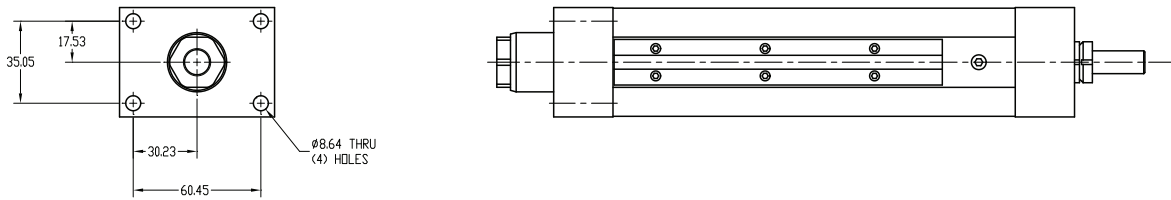


HD201 Actuator Mount Configurations (*choose one*)

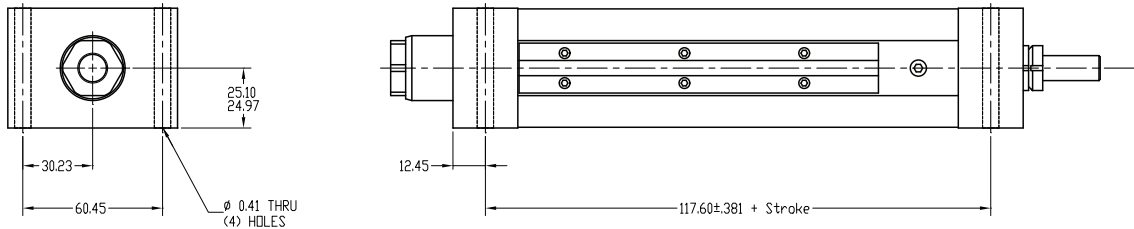
HD201 Bottom Mount Dimensions



HD201 Front Flange Mount Dimensions



HD201 Foot Mount Dimensions



HD201 Trunnion Front Mount or Rear Mount Dimensions

