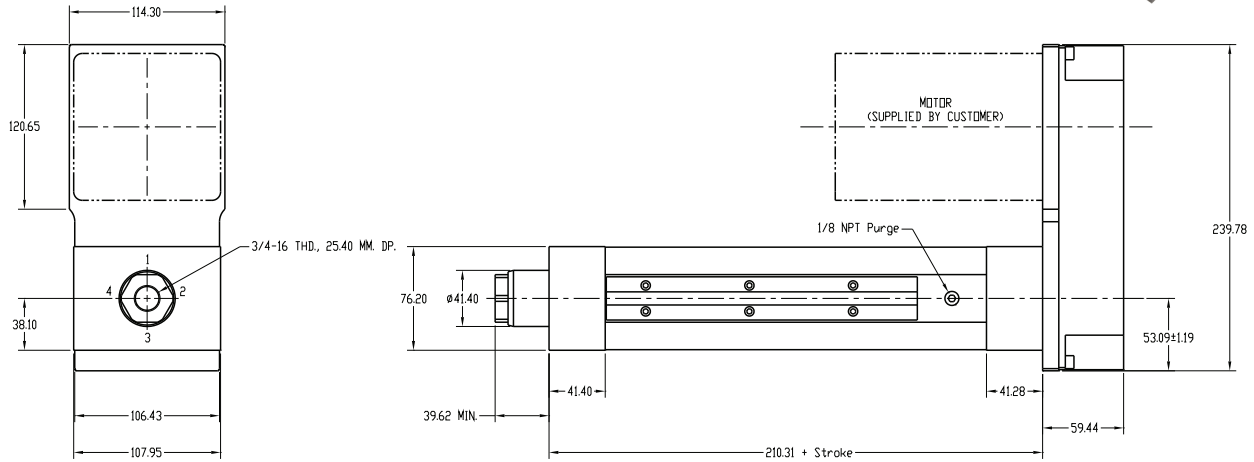


Eliminator HD304 Actuator
With Switch Tracks for Mounting Limit Switches
Metric Dimensions

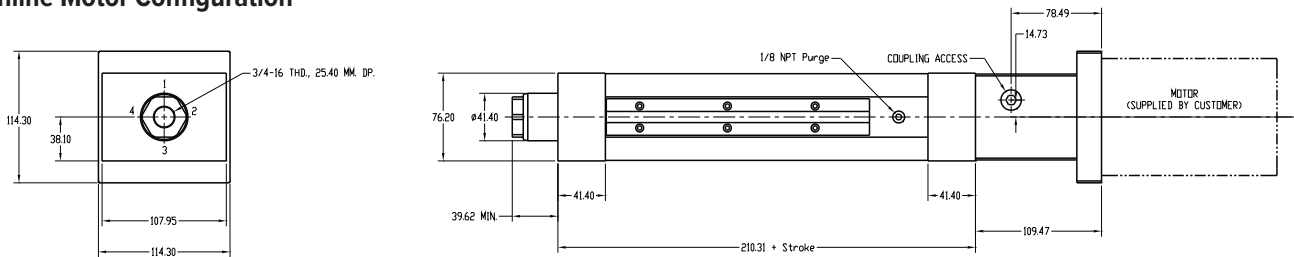


Motor Mount Configurations (choose one)

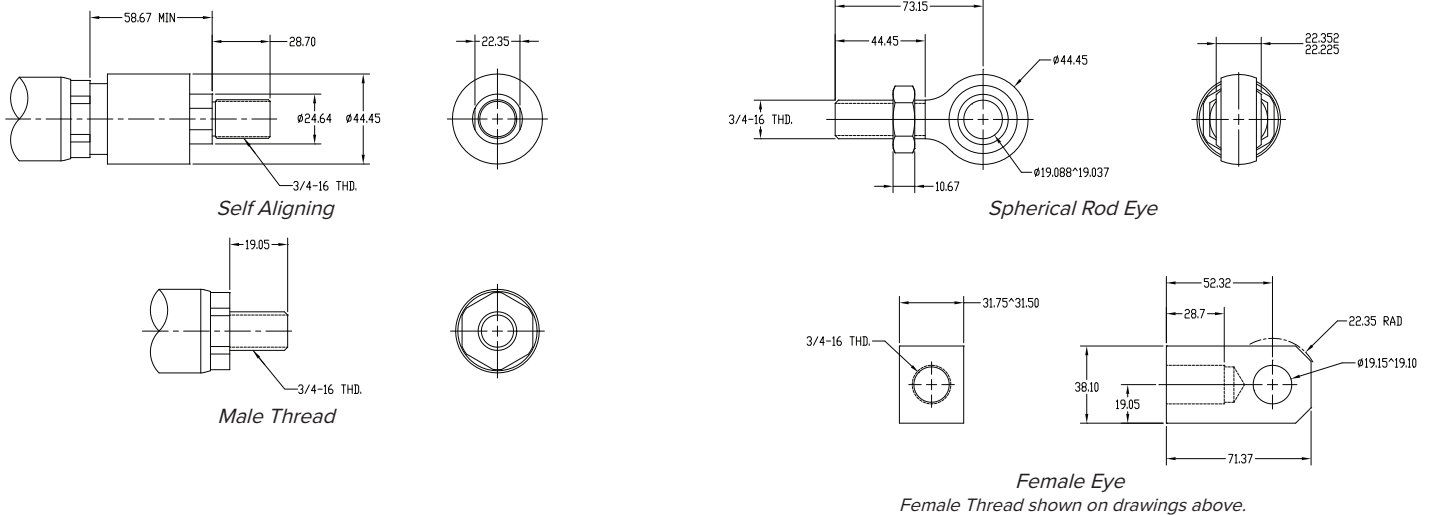
HD304 Parallel Offset Motor Configuration



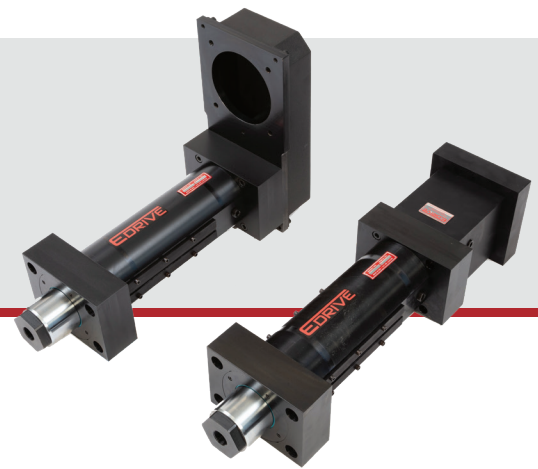
HD304 Inline Motor Configuration



HD304 Rod End Conditions (choose one)

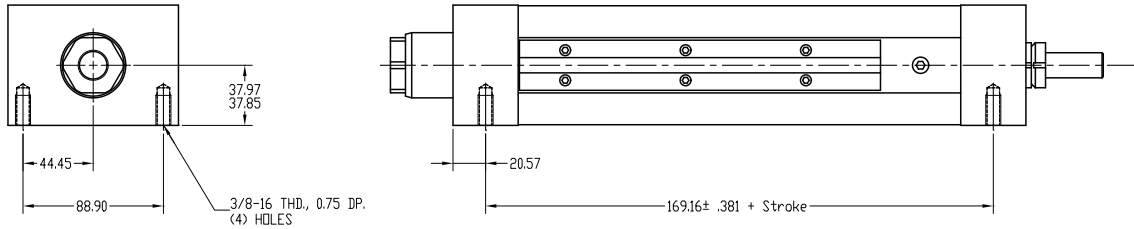


Eliminator HD304 Actuator
With Switch Tracks for Mounting Limit Switches
Metric Dimensions

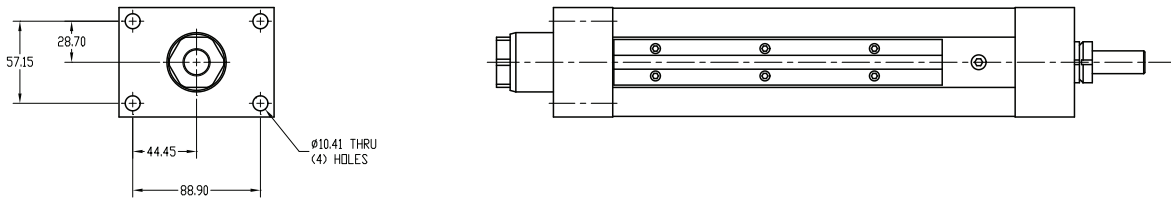


HD304 Actuator Mount Configurations (*choose one*)

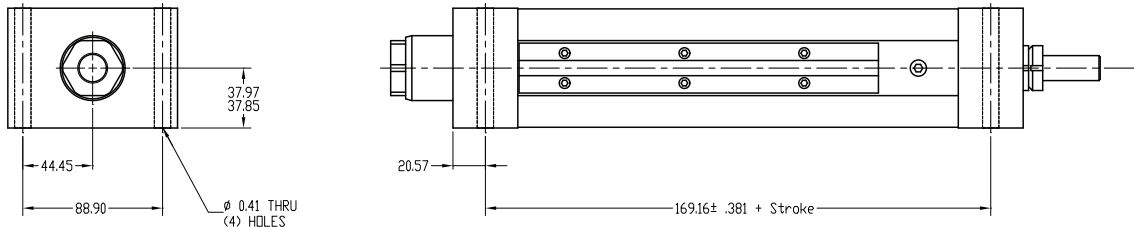
HD304 Bottom Mount Dimensions



HD304 Front Flange Mount Dimensions



HD304 Foot Mount Dimensions



HD304 Trunnion Front Mount or Rear Mount Dimensions

