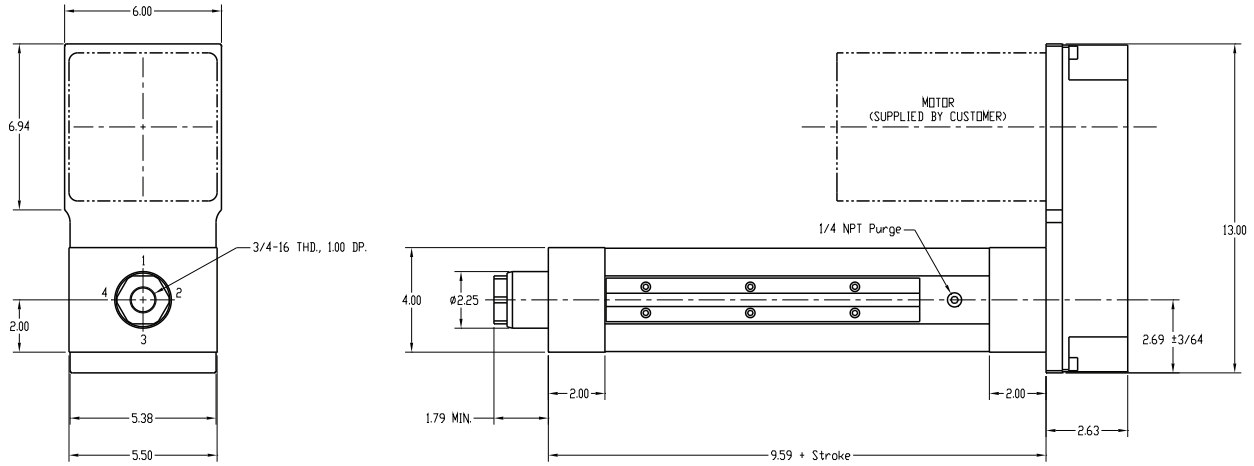


Eliminator HD406 Actuator
With Switch Tracks for Mounting Limit Switches
English Dimensions

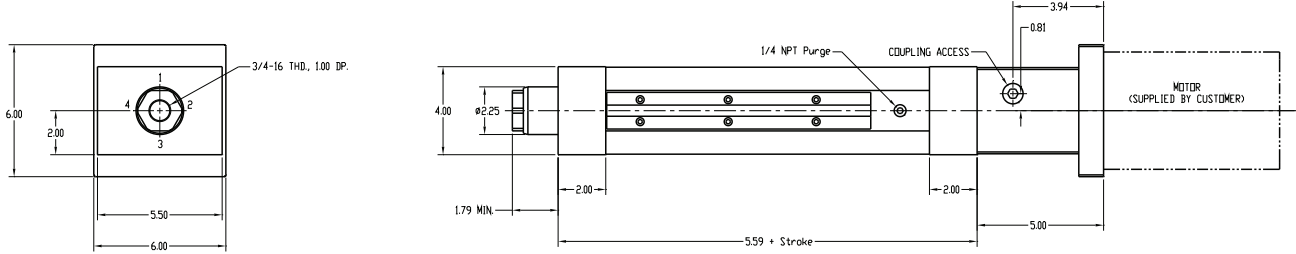


Motor Mount Configurations (*choose one*)

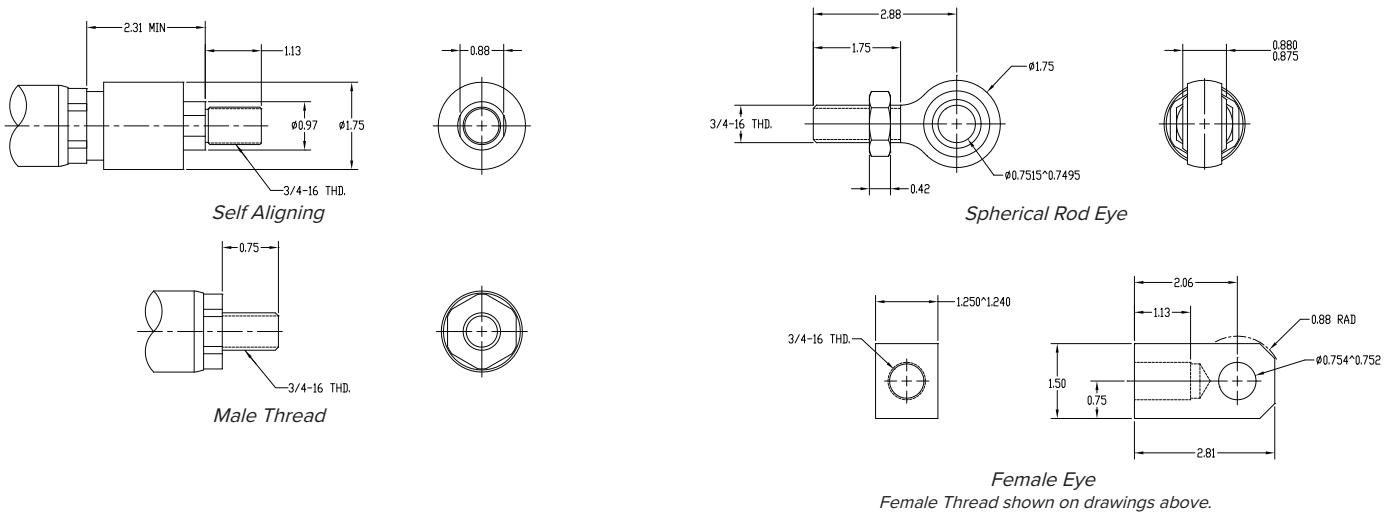
HD406 Parallel Offset Motor Configuration



HD406 Inline Motor Configuration



HD406 Rod End Conditions (*choose one*)



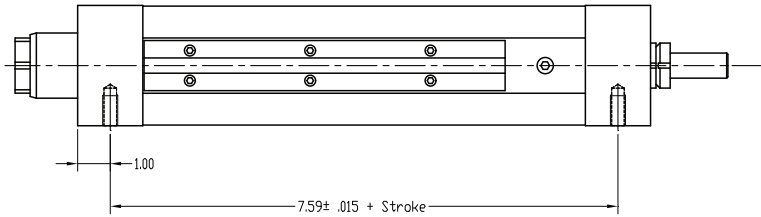
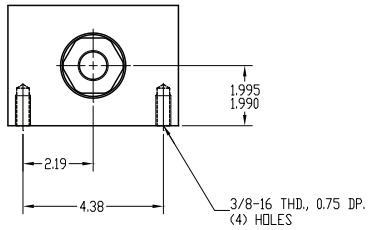
Female Thread shown on drawings above.

Eliminator HD406 Actuator
With Switch Tracks for Mounting Limit Switches
English Dimensions

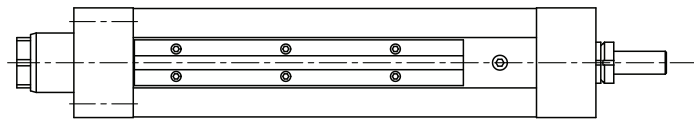
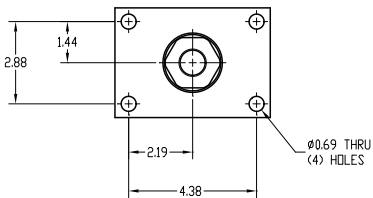


HD406 Actuator Mount Configurations (*choose one*)

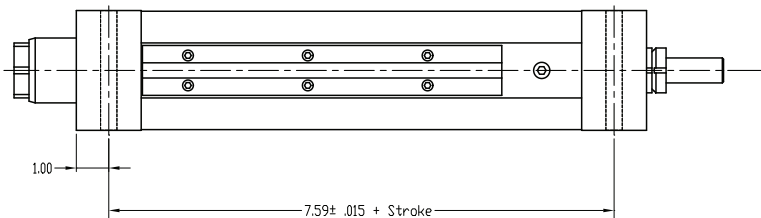
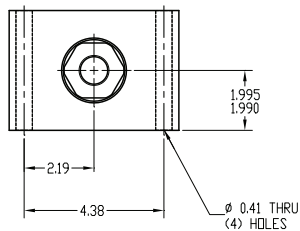
HD406 Bottom Mount Dimensions



HD406 Front Flange Mount Dimensions



HD406 Foot Mount Dimensions



HD406 Trunnion Front Mount or Rear Mount Dimensions

