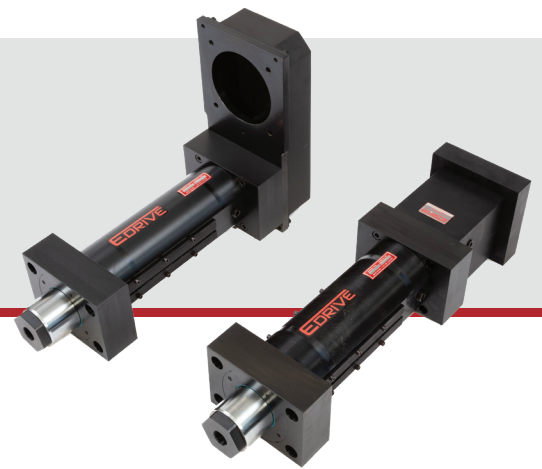
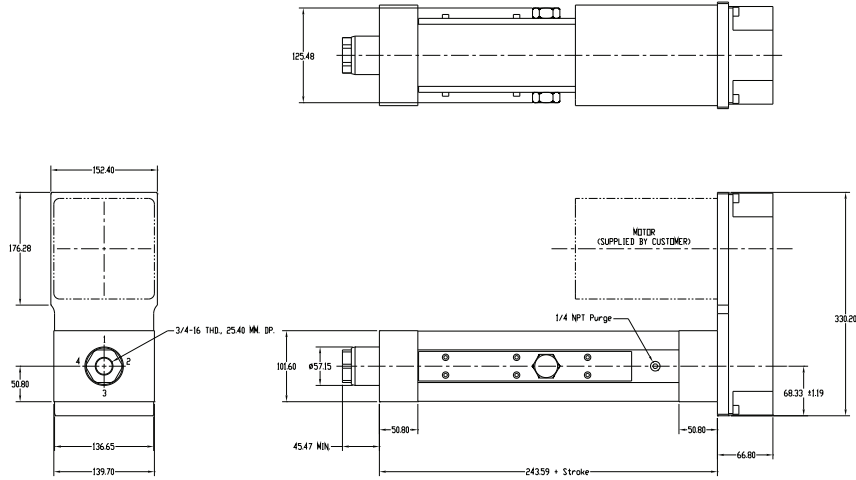


Eliminator HD406 Actuator
Without Switch Tracks for Mounting Limit Switches
Metric Dimensions

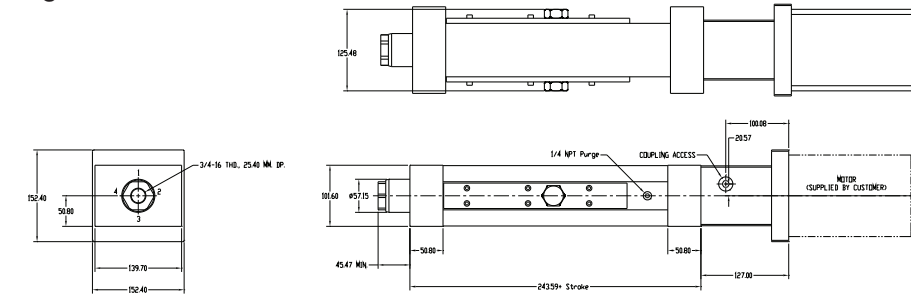


Motor Mount Configurations (choose one)

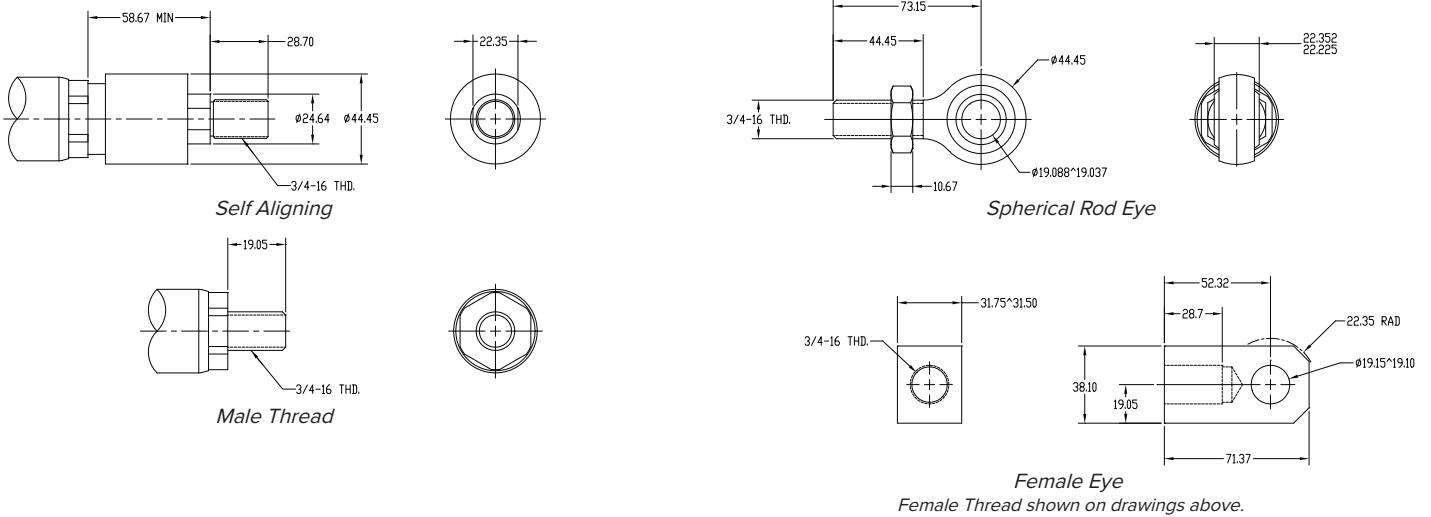
HD406 Parallel Offset Motor Configuration



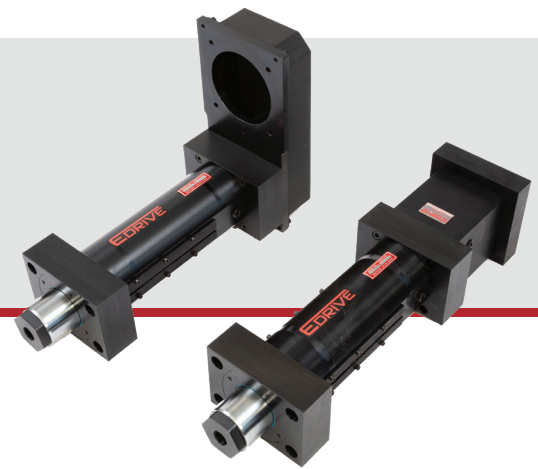
HD406 Inline Motor Configuration



HD406 Rod End Conditions (choose one)

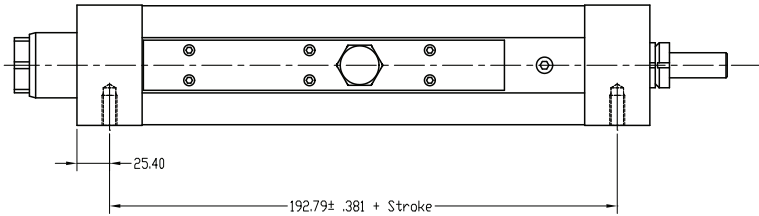
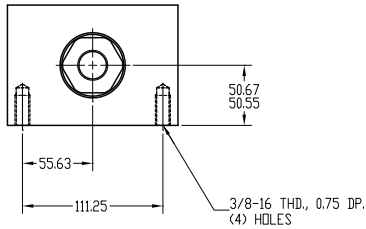


Eliminator HD406 Actuator
Without Switch Tracks for Mounting Limit Switches
Metric Dimensions

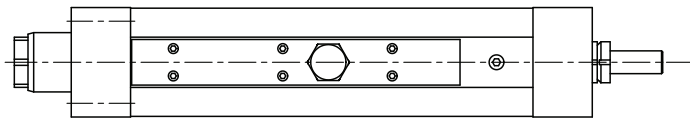
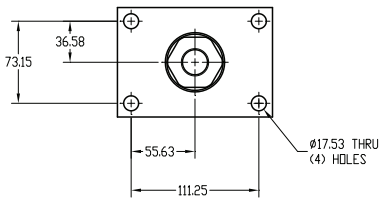


HD406 Actuator Mount Configurations (*choose one*)

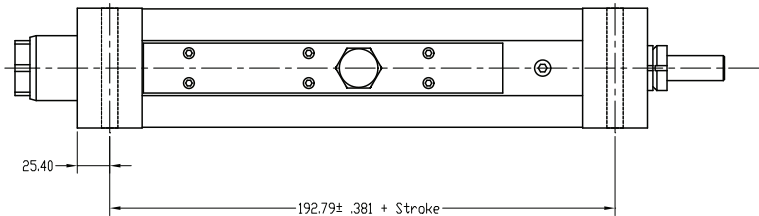
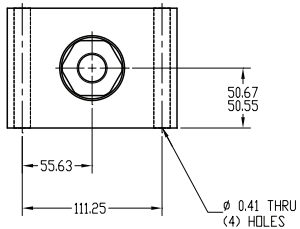
HD406 Bottom Mount Dimensions



HD406 Front Flange Mount Dimensions



HD406 Foot Mount Dimensions



HD406 Trunnion Front Mount or Rear Mount Dimensions

