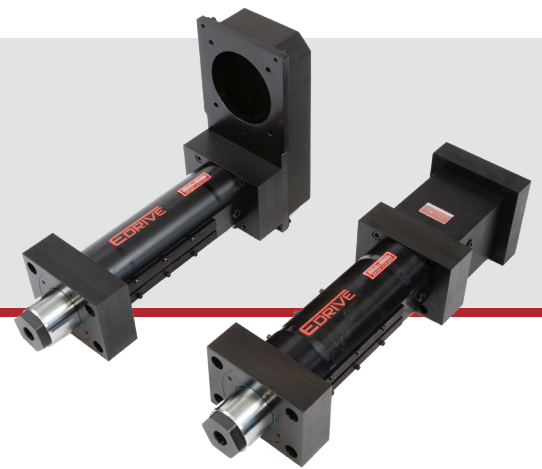


Eliminator HD508 Actuator

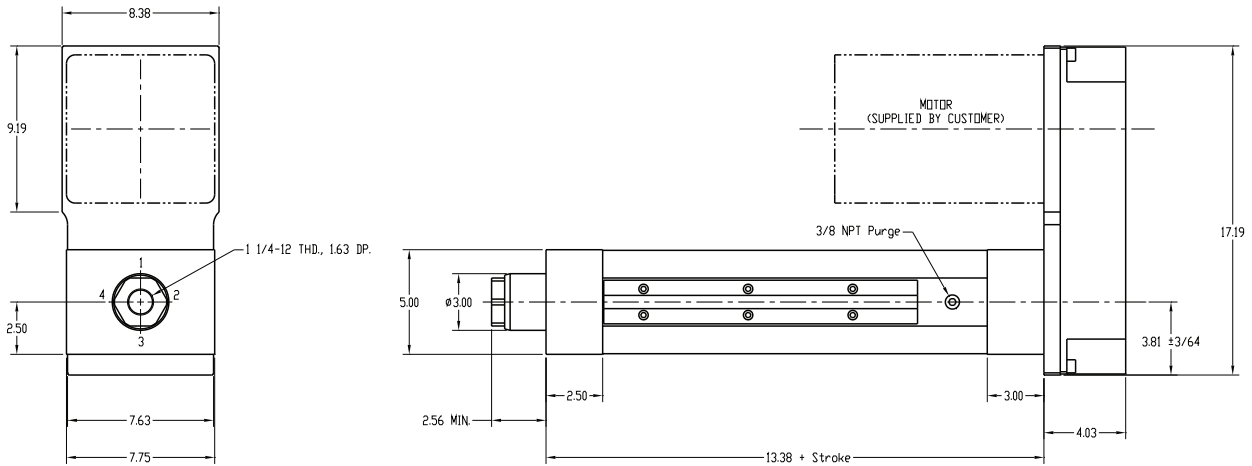
With Switch Tracks for Mounting Limit Switches

English Dimensions

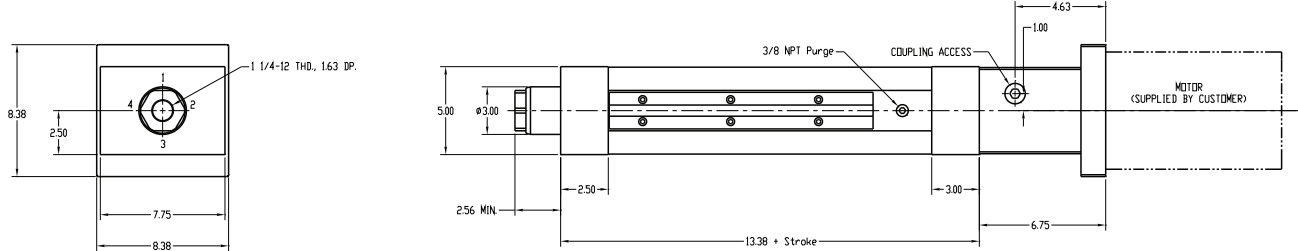


Motor Mount Configurations (choose one)

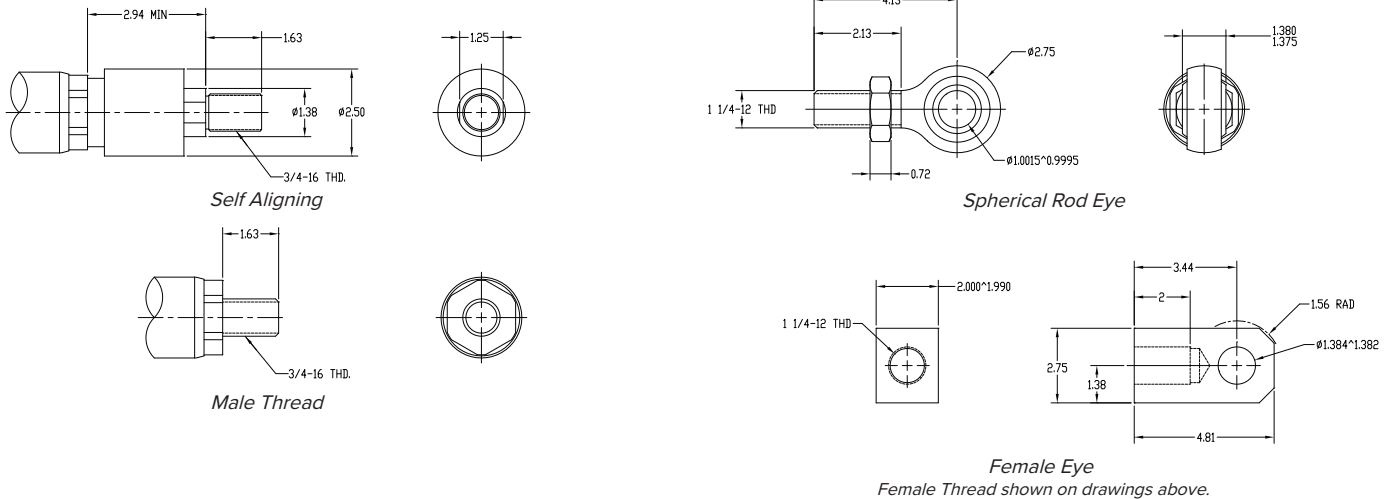
HD508 Parallel Offset Motor Configuration



HD508 Inline Motor Configuration



HD508 Rod End Conditions (choose one)

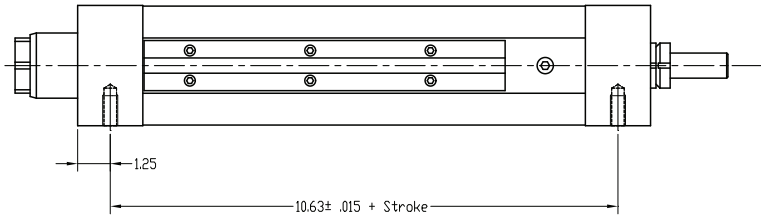
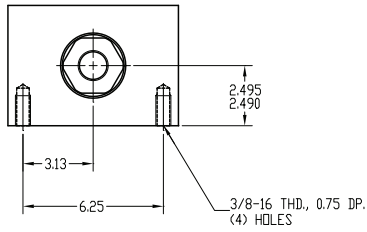


Eliminator HD508 Actuator
With Switch Tracks for Mounting Limit Switches
English Dimensions

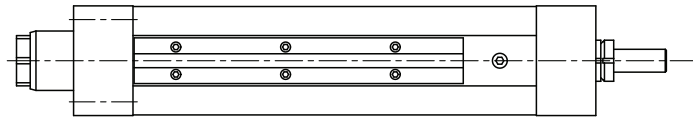
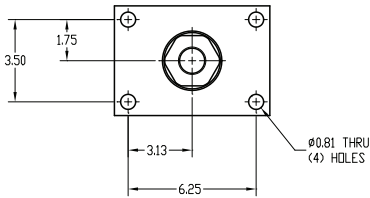


HD508 Actuator Mount Configurations (*choose one*)

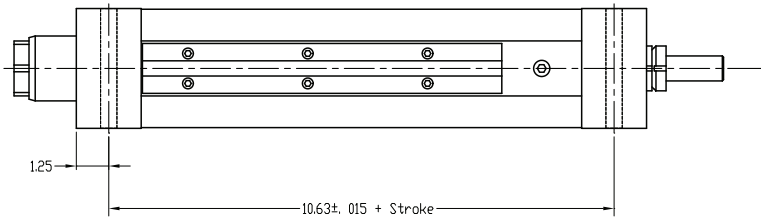
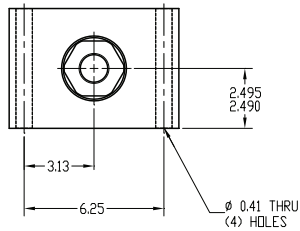
HD508 Bottom Mount Dimensions



HD508 Front Flange Mount Dimensions



HD508 Foot Mount Dimensions



HD508 Trunnion Front Mount or Rear Mount Dimensions

