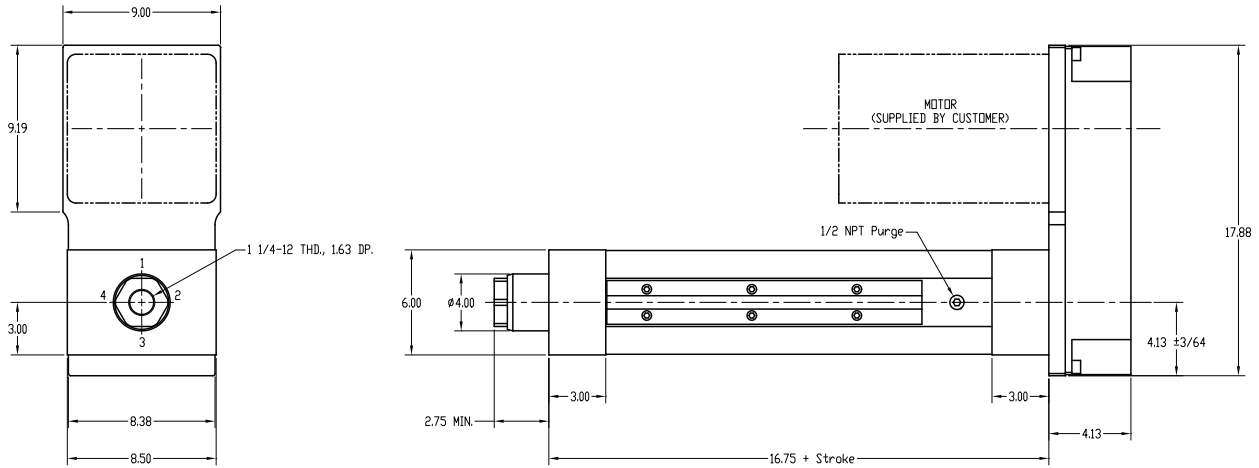


**Eliminator HD625 Actuator**  
With Switch Tracks for Mounting Limit Switches  
English Dimensions

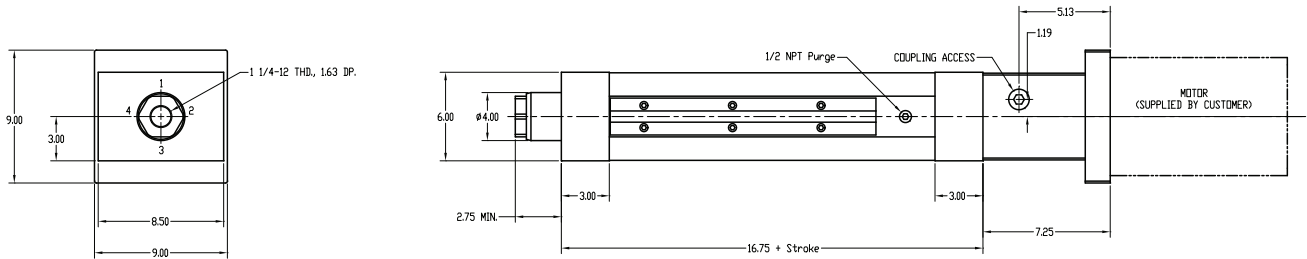


**Motor Mount Configurations (choose one)**

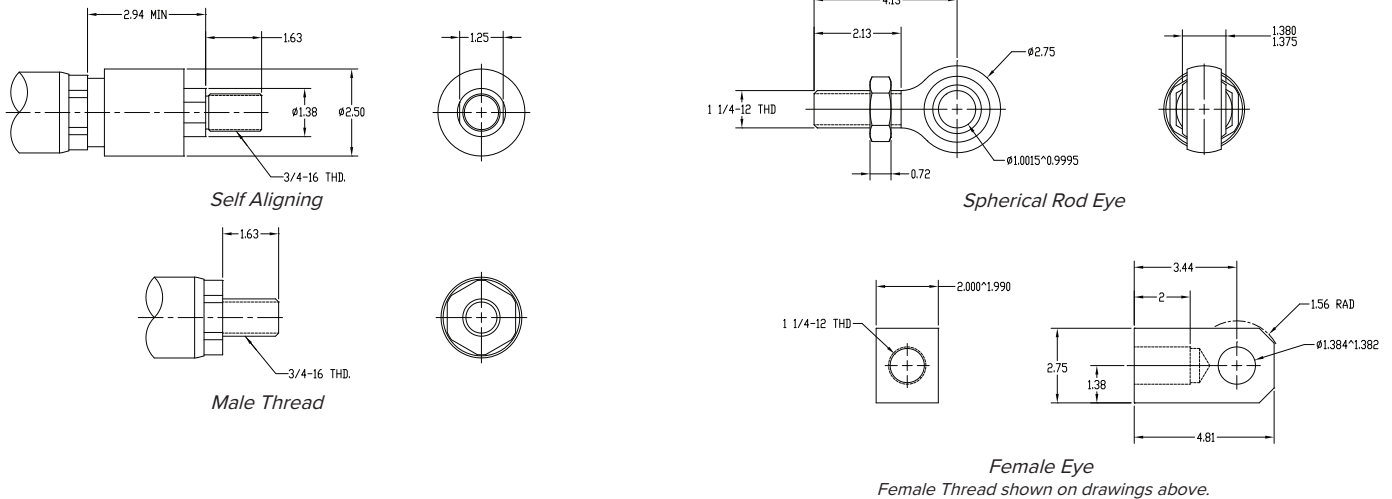
**HD625 Parallel Offset Motor Configuration**



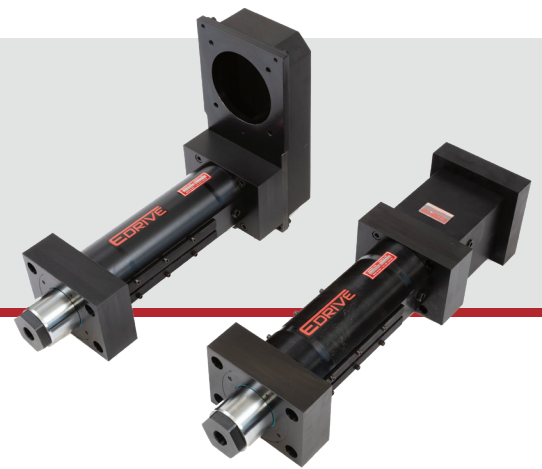
**HD625 Inline Motor Configuration**



**HD625 Rod End Conditions (choose one)**

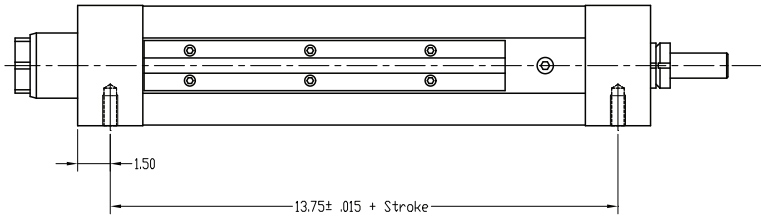
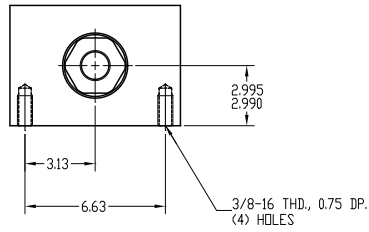


**Eliminator HD625 Actuator**  
With Switch Tracks for Mounting Limit Switches  
English Dimensions

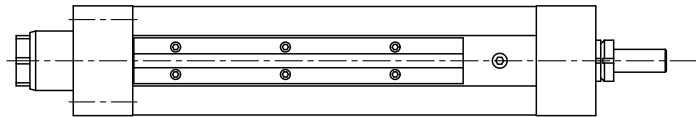
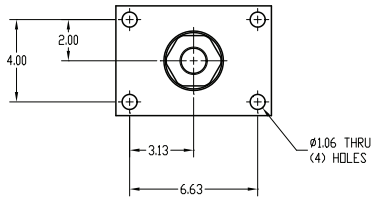


**HD625 Actuator Mount Configurations** (*choose one*)

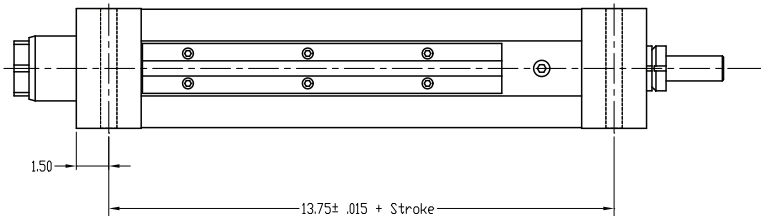
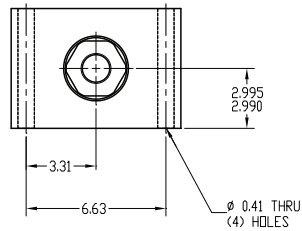
**HD625 Bottom Mount Dimensions**



**HD625 Front Flange Mount Dimensions**



**HD625 Foot Mount Dimensions**



**HD625 Trunnion Front Mount or Rear Mount Dimensions**

