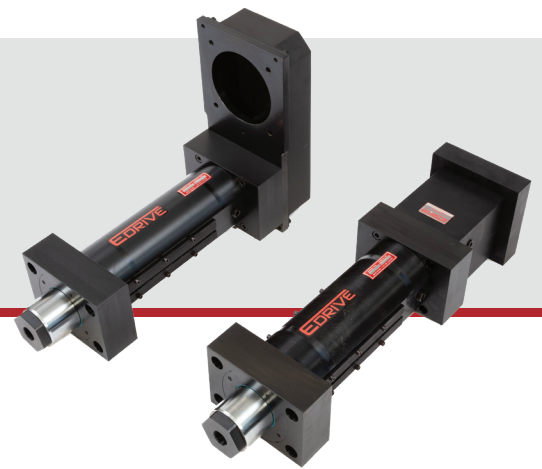
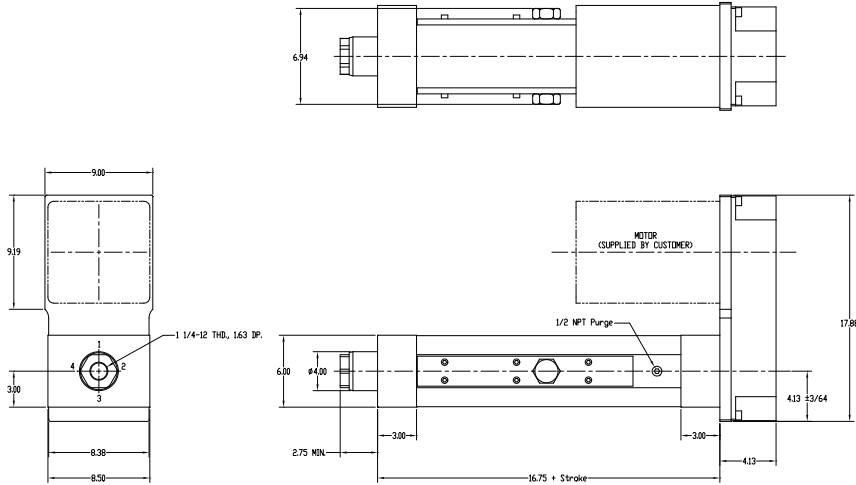


Eliminator HD625 Actuator
Without Switch Tracks for Mounting Limit Switches
English Dimensions

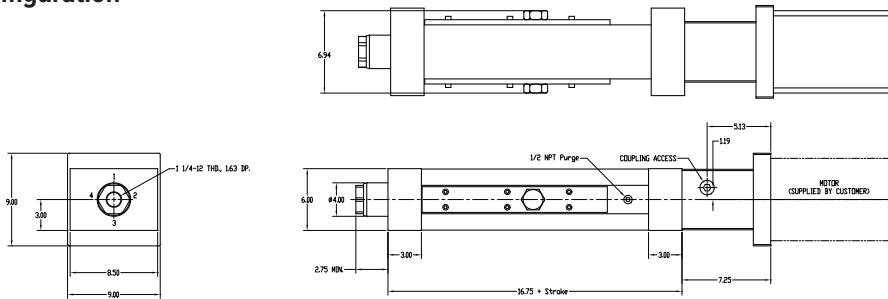


Motor Mount Configurations (*choose one*)

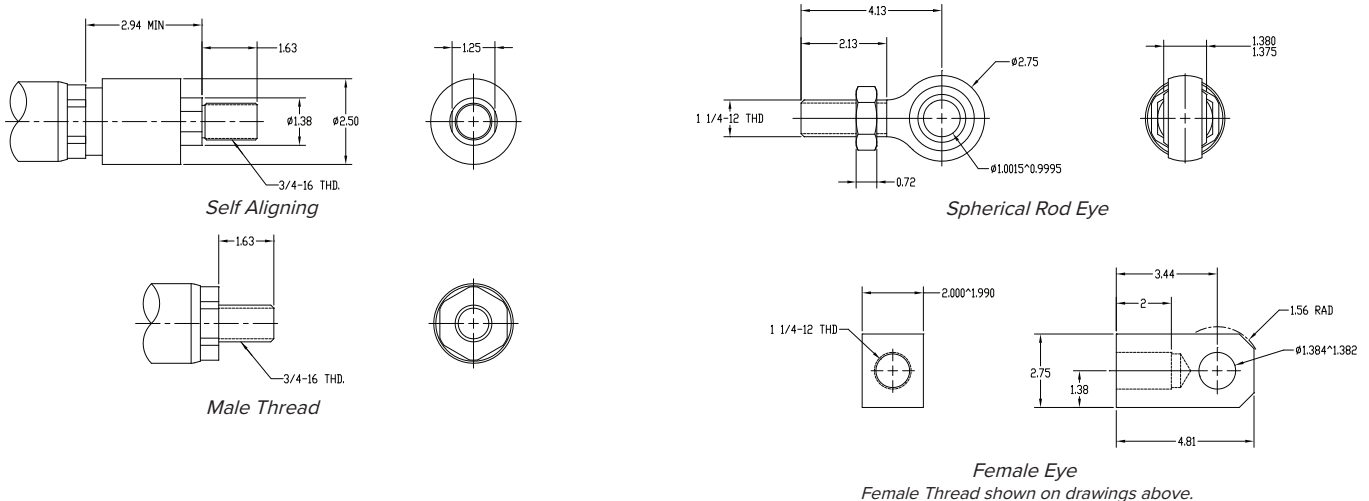
HD625 Parallel Offset Motor Configuration



HD625 Inline Motor Configuration



HD625 Rod End Conditions (*choose one*)

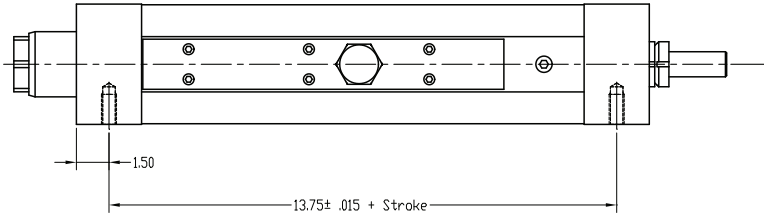
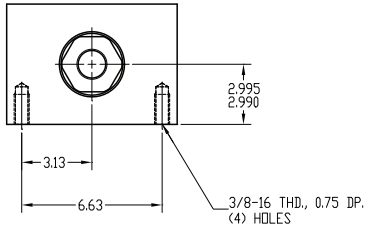


Eliminator HD625 Actuator
Without Switch Tracks for Mounting Limit Switches
English Dimensions

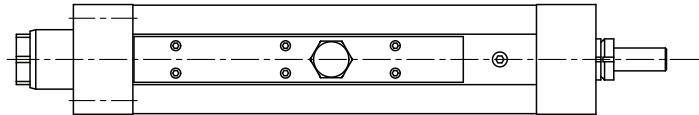
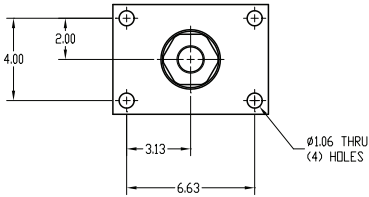


HD625 Actuator Mount Configurations (*choose one*)

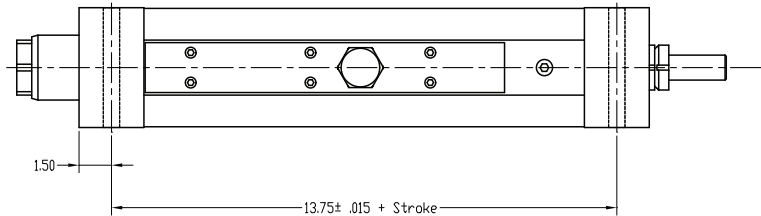
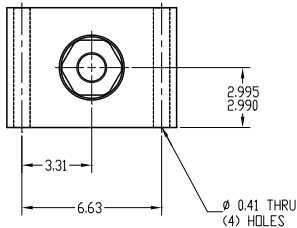
HD625 Bottom Mount Dimensions



HD625 Front Flange Mount Dimensions



HD625 Foot Mount Dimensions



HD625 Trunnion Front Mount or Rear Mount Dimensions

