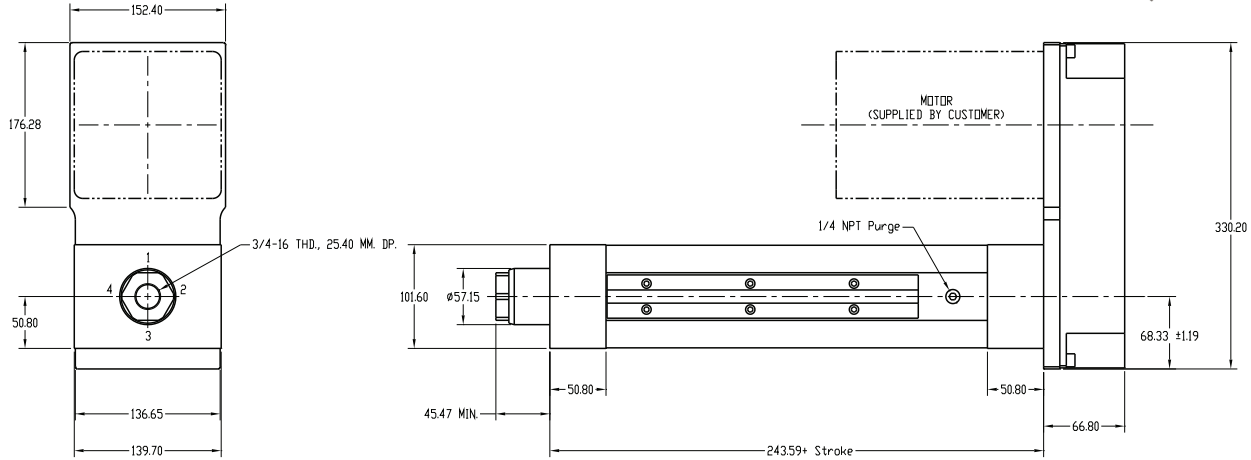


**Eliminator HD406 Actuator**  
With Switch Tracks for Mounting Limit Switches  
Metric Dimensions

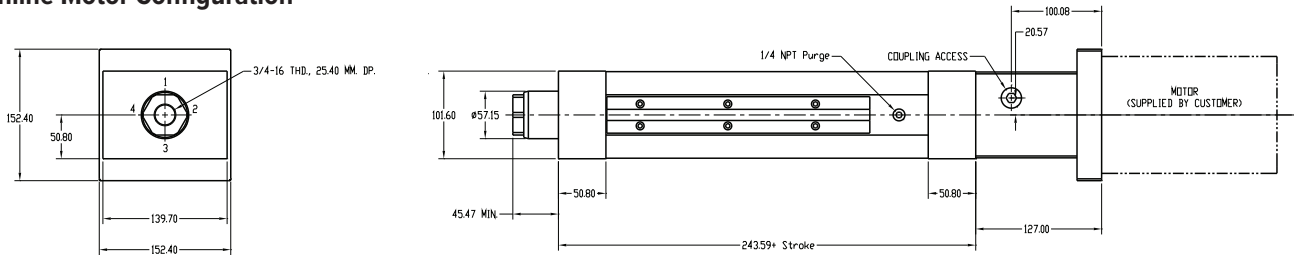


**Motor Mount Configurations (choose one)**

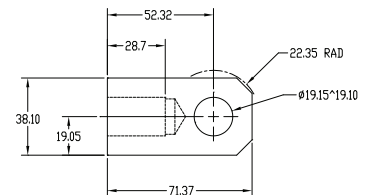
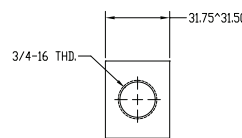
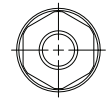
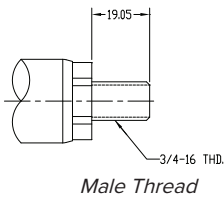
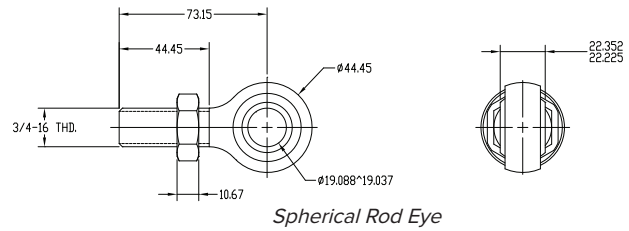
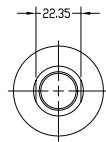
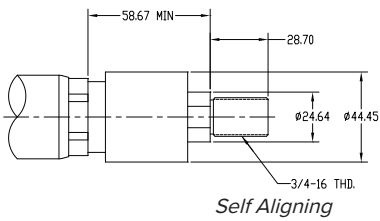
**HD406 Parallel Offset Motor Configuration**



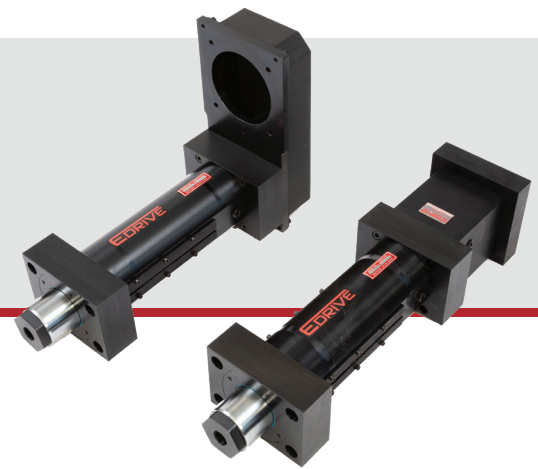
**HD406 Inline Motor Configuration**



**HD406 Rod End Conditions (choose one)**

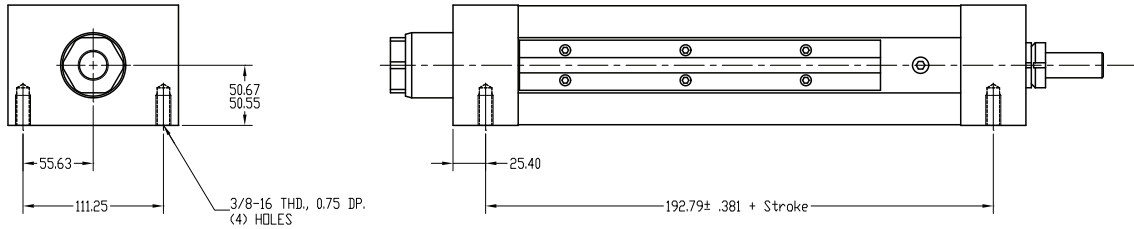


**Eliminator HD406 Actuator**  
With Switch Tracks for Mounting Limit Switches  
Metric Dimensions

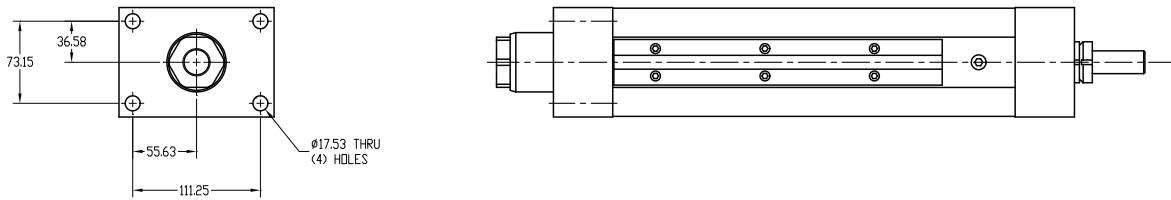


**HD406 Actuator Mount Configurations** (*choose one*)

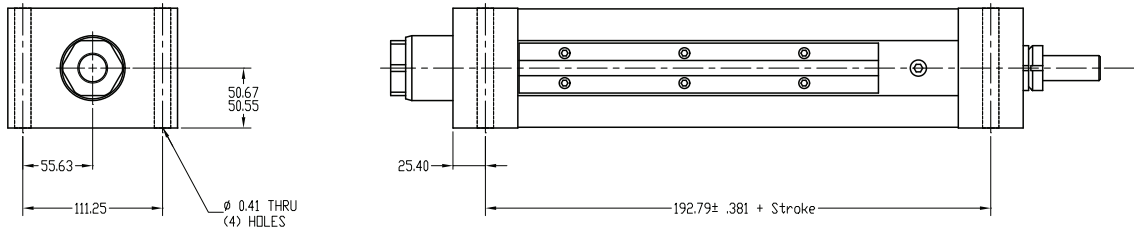
**HD406 Bottom Mount Dimensions**



**HD406 Front Flange Mount Dimensions**



**HD406 Foot Mount Dimensions**



**HD406 Trunnion Front Mount or Rear Mount Dimensions**

